

SECTION 9

BODY SERVICE

NOTE:

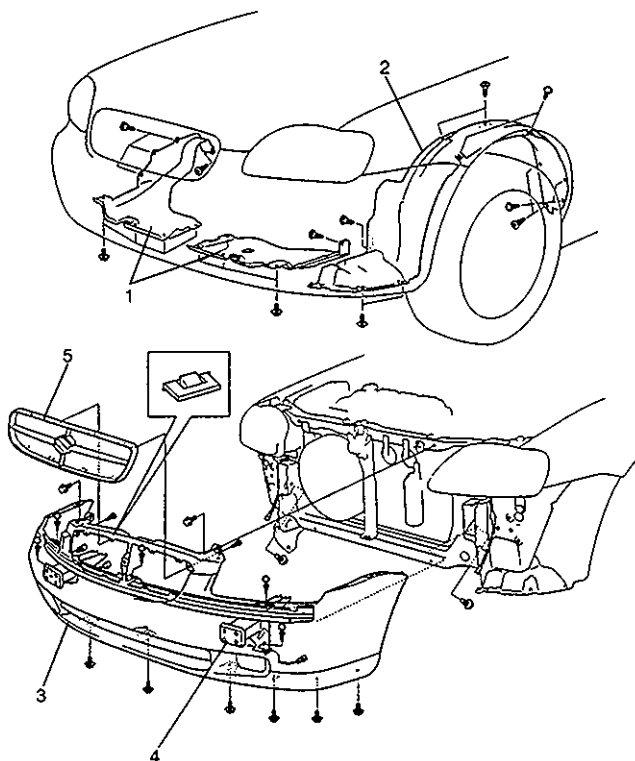
For the descriptions (items) not found in this section, refer to the same section of the Service Manual mentioned in FOREWORD of this manual.

CONTENTS

ON-VEHICLE SERVICE	9- 1
Front Bumper	9- 1
Rear Seat	9- 1
BODY DIMENSIONS	9- 2

ON-VEHICLE SERVICE

FRONT BUMPER

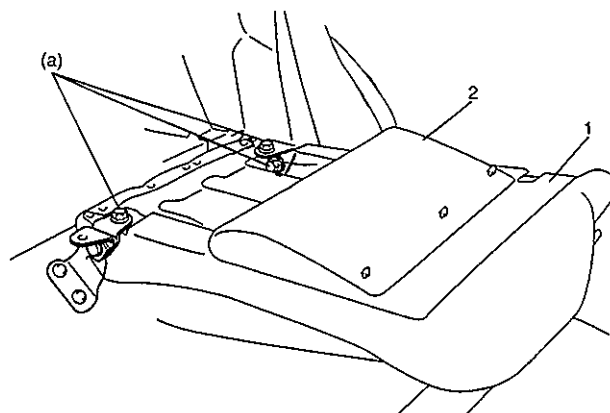


- 1. Engine under covers
- 2. Front fender lining
- 3. Front bumper
- 4. Front bumper member
- 5. Radiator grille

REMOVAL/INSTALLATION

- 1) Remove engine under covers and front fender linings.
 - 2) Remove front bumper together with bumper member.
 - 3) Remove radiator grille as necessary.
- Reverse removal procedure for installation.

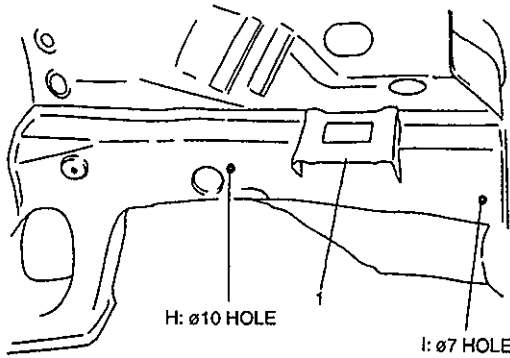
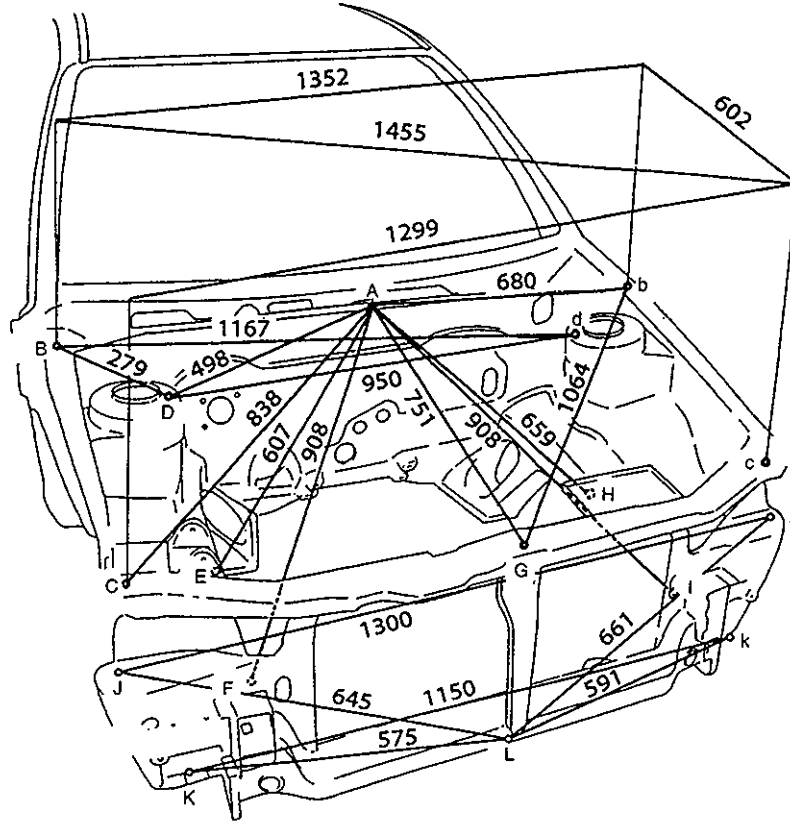
REAR SEAT



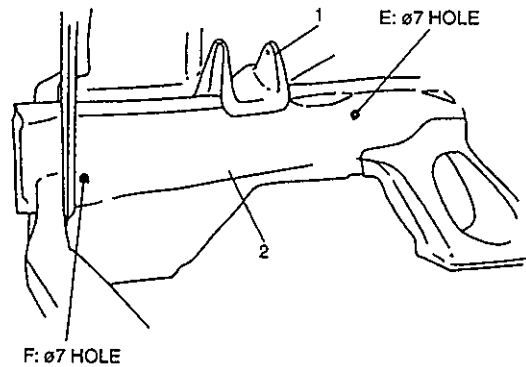
Tightening torque
(a): 35 N·m (3.5 kg-m, 25.5 lb-ft)

- 1. Rear seatback
- 2. Rear seatback carpet

BODY DIMENSIONS



1. Battery tray bracket



1. Engine mounting bracket
2. Apron side member

MEASUREMENT POSITION	LENGTH mm (in.)	MEASUREMENT POSITION	LENGTH mm (in.)
A - b	680 (26.77)	b - c	602 (23.70)
A - C	838 (32.99)	B - d	1167 (45.94)
A - D	498 (19.61)	C - c	1299 (51.41)
A - E	607 (23.90)	D - d	950 (37.40)
A - F	908 (35.75)	G - b	1064 (41.89)
A - G	751 (29.57)	J - j	1300 (51.18)
A - H	659 (25.94)	J - L	645 (25.39)
A - I	908 (35.75)	K - k	1150 (45.28)
B - b	1352 (53.23)	K - L	575 (22.64)
B - c	1455 (57.28)	L - j	661 (26.02)
B - D	279 (10.98)	L - k	591 (23.27)