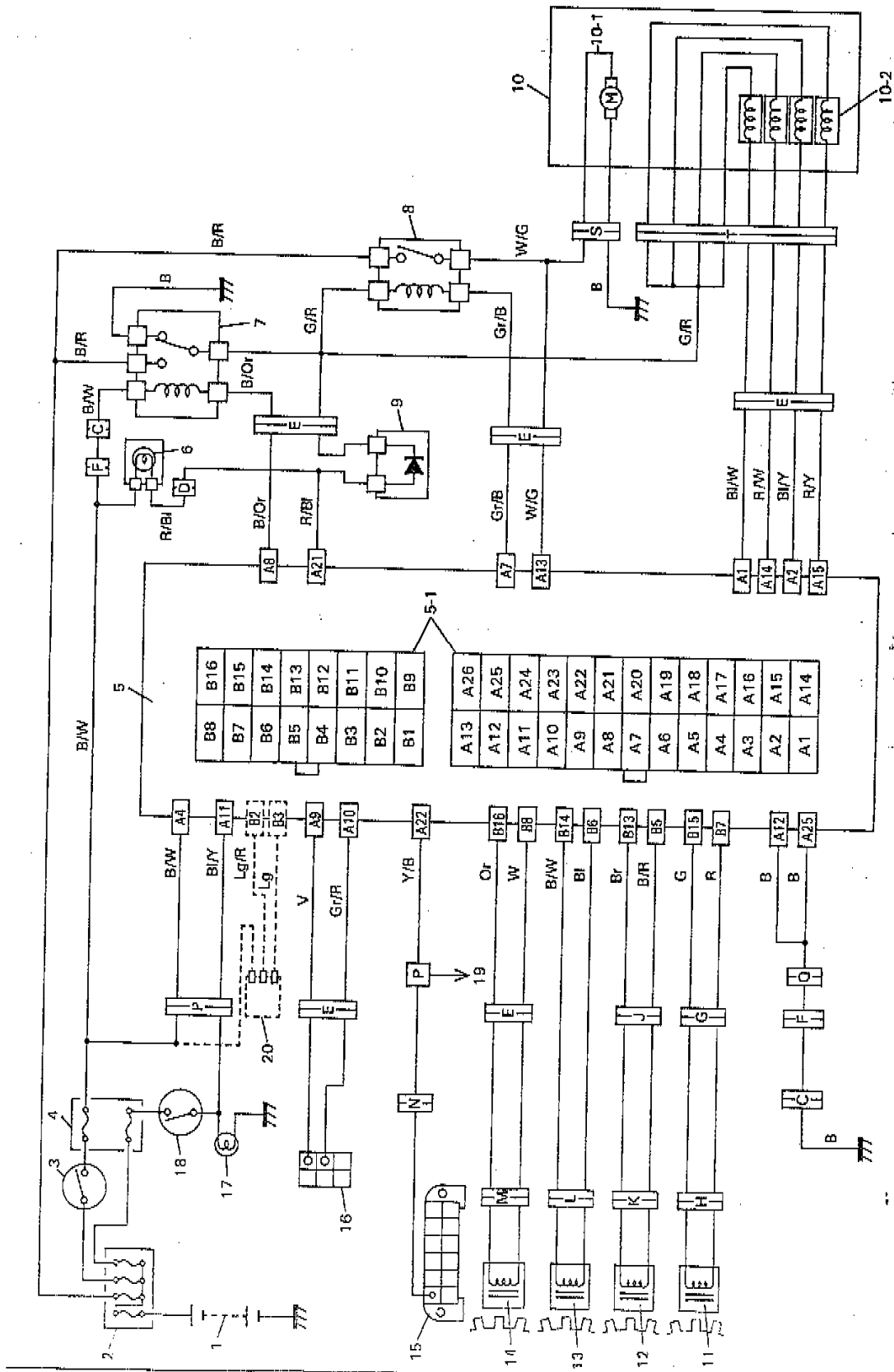


Vehicle: Connector Views Electronic Brake Control Module



1. Battery
2. Main fuses
3. Ignition switch
4. Circuit fuses
5. ABS control module
- 5-1. Terminal arrangement for ABS control module
6. "ABS" warning lamp
7. ABS fail-safe relay (Solenoid valve relay)
8. ABS pump motor relay
9. Diode
10. ABS hydraulic unit
- 10-1. Pump motor
- 10-2. Solenoid valves
11. Right-rear wheel speed sensor
12. Left-rear wheel speed sensor
13. Right-front wheel speed sensor
14. Left-front wheel speed sensor
15. Data link connector
16. Diagnosis-2 connector (DIAG-2)
17. Stop lamp
18. Stop lamp switch
19. To ECM, TCM and SDM (if equipped)
20. G sensor (if equipped)

A ~ P: Connector

60600-5B-21-1

Wire color

- B : Black
- B/Or : Black/Orange
- B/R : Black/Red
- B/W : Black/White
- Bl : Blue
- Bl/Y : Blue/Yellow
- Bl/W : Blue/White
- Br : Brown
- G : Green
- G/R : Green/Red
- Gr : Gray
- Gr/B : Gray/Black
- Gr/R : Gray/Red
- Or : Orange
- R : Red
- R/Bl : Red/Blue
- R/W : Red/White
- R/Y : Red/Yellow
- V : Violet
- W : White

TERMINAL	CIRCUIT	TERMINAL	CIRCUIT
A1	Left-front solenoid valve	A23	_____
A2	Left-rear solenoid valve	A24	_____
A3	_____	A25	Ground
A4	Ignition switch	A26	_____
A5	_____		
A6	_____	B1	_____
A7	ABS pump motor relay	B2	G sensor signal (if equipped)
A8	ABS fail-safe relay	B3	G sensor ground (if equipped)
A9	Diagnosis switch terminal	B4	_____
A10	Diagnosis output terminal	B5	Left-rear wheel speed sensor (-)
A11	Stop lamp switch	B6	Right-front wheel speed sensor (-)
A12	Ground	B7	Right-rear wheel speed sensor (-)
A13	Motor voltage monitor	B8	Left-front wheel speed sensor (-)
A14	Right-front solenoid valve	B9	_____
A15	Right-rear solenoid valve	B10	_____
A16	_____	B11	_____
A17	_____	B12	_____
A18	_____	B13	Left-rear wheel speed sensor (+)
A19	_____	B14	Right-front wheel speed sensor (+)
A20	_____	B15	Right-rear wheel speed sensor (+)
A21	"ABS" warning lamp	B16	Left-front wheel speed sensor (+)
A22	Data link connector		