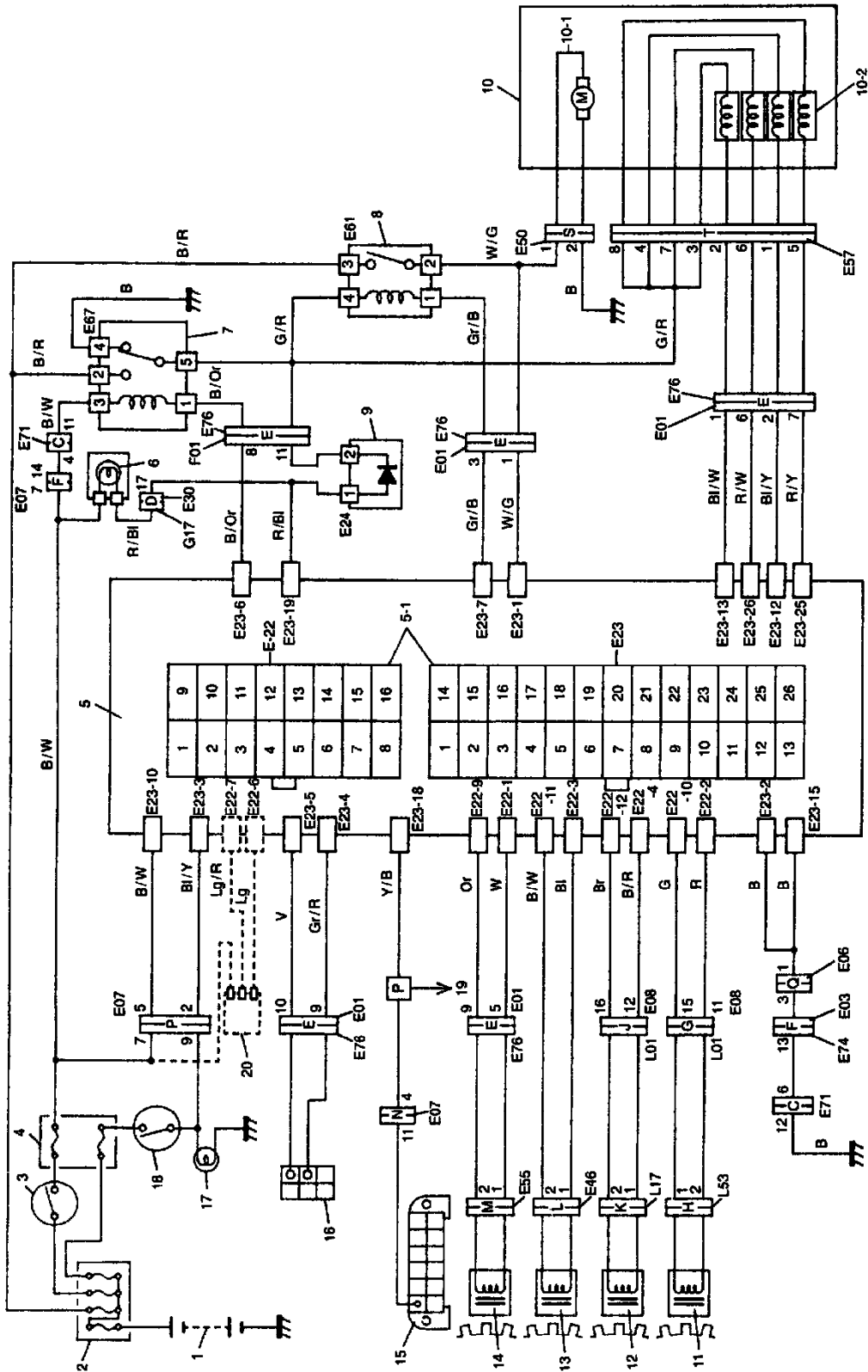


Vehicle: Electrical Diagrams

System Diagram



- Wire color**
 B : Black
 B/Or : Black/Orange
 B/R : Black/Red
 B/W : Black/White
 Bl : Blue
 Bl/Y : Blue/Yellow
 Bl/W : Blue/White
 Br : Brown
 G : Green
 G/R : Green/Red
 Gr : Gray
 Gr/B : Gray/Black
 Gr/R : Gray/Red
 Or : Orange
 R : Red
 R/Bl : Red/Blue
 R/W : Red/White
 R/Y : Red/Yellow
 V : Violet
 W : White
1. Battery
 2. Main fuses
 3. Ignition switch
 4. Circuit fuses
 5. ABS control module
 - 5-1. Terminal arrangement for ABS control module
 6. "ABS" warning lamp
 7. ABS fail-safe relay (Solenoid valve relay)
 8. ABS pump motor relay
 9. Diode
 10. ABS hydraulic unit
 - 10-1. Pump motor
 - 10-2. Solenoid valves
 11. Right-rear wheel speed sensor
 12. Left-rear wheel speed sensor
 13. Right-front wheel speed sensor
 14. Left-front wheel speed sensor
 15. Data link connector
 16. Diagnosis-2 connector (DIAG-2)
 17. Stop lamp
 18. Stop lamp switch
 19. To ECM, TCM and SDM (if equipped)
 20. G sensor (if equipped)

TERMI-NAL	CIRCUIT	TERMI-NAL	CIRCUIT
1	Motor voltage monitor	1	Left-front wheel speed sensor (-)
2	Ground	2	Right-rear wheel speed sensor (-)
3	Stop lamp switch	3	Right-front wheel speed sensor (-)
4	Diagnosis output terminal	4	Left-rear wheel speed sensor (-)
5	Diagnosis switch terminal	5	_____
6	ABS fail-safe relay	6	G sensor ground (if equipped)
7	ABS pump motor relay	7	G sensor signal (if equipped)
8	_____	8	_____
9	_____	9	Left-front wheel speed sensor (+)
10	Ignition switch	10	Right-rear wheel speed sensor (+)
11	_____	11	Right-front wheel speed sensor (+)
12	Left-rear solenoid valve	12	Left-rear wheel speed sensor (+)
13	Left-front solenoid valve	13	_____
14	_____	14	_____
15	Ground	15	_____
16	_____	16	_____
17	_____	17	_____
18	Data link connector	18	_____
19	"ABS" warning lamp	19	_____
20	_____	20	_____
21	_____	21	_____
22	_____	22	_____
23	_____	23	_____
24	_____	24	_____
25	Right-rear solenoid valve	25	_____
26	Right-front solenoid valve	26	_____