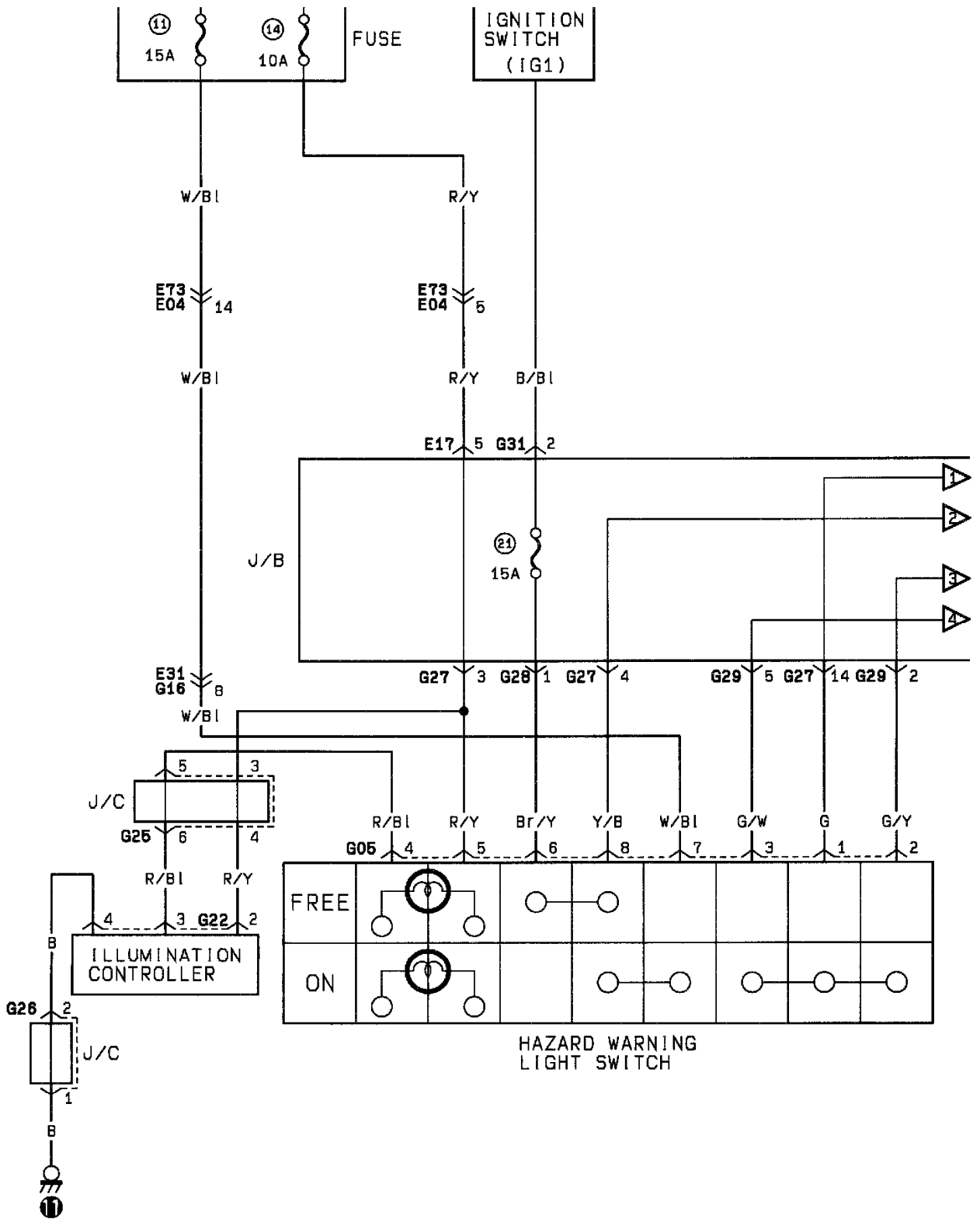


Vehicle: Electrical Diagrams

Hazard Warning Lamps



- 1 SEDAN
- 2 WAGON
- 3 98MY
- 4 99MY
(1.6L & 1.8L)

COMBINATION SWITCH

