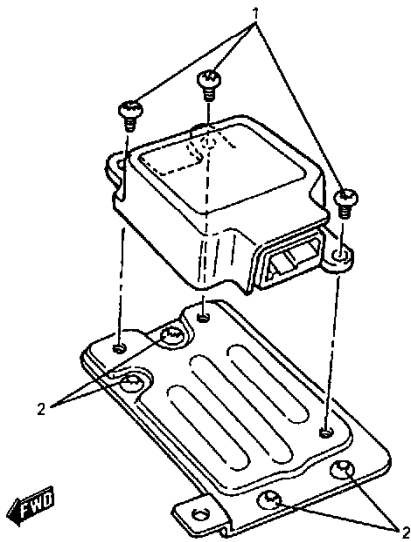
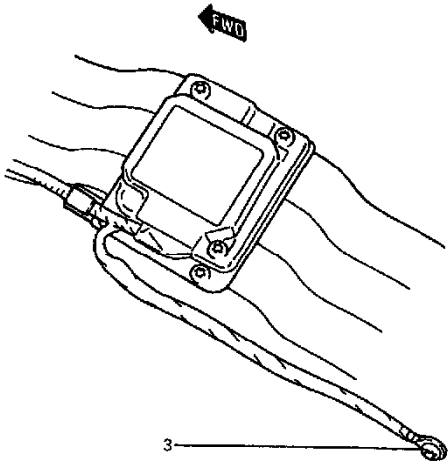


Fastening Parts		Tightening Torque		
		N·m	kg·m	lb·ft
1. SDM screws		6	0.6	4.5
2. SDM bracket screws				
3. GND screw				
1, 2				
3				

Tightening Torque Specifications