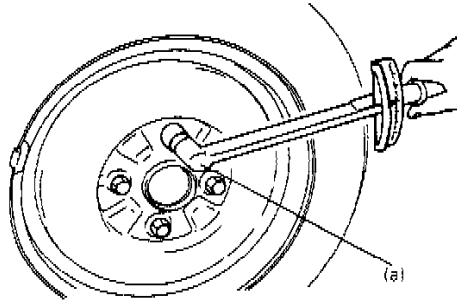


Wheel Fastener: Testing and Inspection



INSPECTION

Check wheel nuts for tightness and, as necessary retighten them to specification.

Tightening Torque (a): 85 Nm (61.5 ft. lbs.)